

17"19" HD CCTV Monitor

AUSPICE STAR

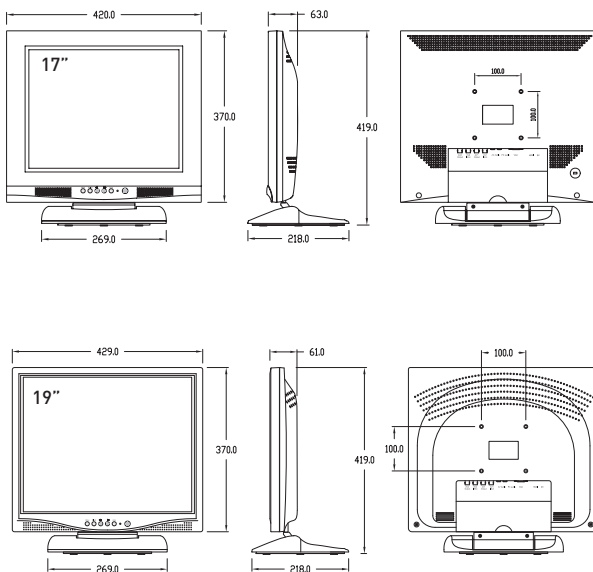


LED technology benefits from intelligent color corrective technology with a mercury-free WLED backlight that automatically detects image signal and controls backlight brightness for blacker blackspurer whites and more clearly defined grays.

Features

- HD display 1280 x 1024
- Excellent contrast ratio and brightness
- Analogue video is very clear with no detail loss
- Built-in 3D comb-filter & 3D de-interlace
- VESA hole 75 x 75 (mm)
- PIP / PBP Multi-display function
- 2 x Composite BNC In / Out for looping
- No Mercury. Enviroment-friendly Product
- LED backlit leads to less power consumption
- AR-Coating Glass protection (optional)

Physical Drawing



Input / Output



Model	A17A1-LED	A19A1-LED
General		
Diagonal size	17"	19"
Panel type	TFT LCD	TFT LCD
Aspect ratio	4 : 3	4 : 3
Number of pixels	1280 x 1024	1280 x 1024
Pixel pitch	0.264 x 0.264 mm	0.294 x 0.294 mm
Color depth	16.7 Million Colors	
Backlight	LED	LED
Optical (typ.)		
Brightness	300 cd/m2	300 cd/m2
Contrast ratio	10000:1	10000:1
Response time (Tr + Tf)	5 ms	5 ms
Viewing angle	Vertical -80°~80° / Horizontal -85°~85°	
Operation		
Input Interface	BNC x 2, HDMI x 1, VGA x 1	
Output Interface	BNC x 2	
Display mode	Video 1 / Video 2 / PC / HDMI	
OSD	Picture Mode, Contrast, Brightness, Color, Tint, Sharpness, Color Temp, DNR	
OSD Languages	English, German, French, Italian, Spanish, Russian, Turkish, Polish, Dutch, Czech	
Speaker	1.5 W x 2	
Remote control	YES	
Composite Video		
System	PAL / NTSC	
Video processing	Motion Adaptive 3D De-Interlacer and DNR, 4H Comb filter Y/C separation	
Electrical		
AC power	AC 100-240V 50/60HZ	
Power consumption	< 20W	< 25W
Power supply	External power adapter	
Mechanical		
Case material	Plastic	
Dimension (W x H x D) (include stand)	420 x 419 x 218 mm	429 x 419 x 218 mm
Support	Pedestal base	
Mounting interface	100 x 100 mm , M4 x 4 holes	
Net weight (Monitor & stand)	4.0Kgs (8.8 lbs)	4.3Kgs (9.5 lbs)
Environment		
Temperature	Operation: 0°~40°C(32° ~104°F) , Storage: -10°~60°C(14° ~140°F)	
Humidity	10%-90%	
Safety	FCC, CE, ROHS	
Delivery set	Monitor, Power cord with adapter, VGA cable, User Manual	

** Design and specs are subjective to change without notice

AUSPICE STAR

Company address: 2F., No.330, Datong Rd., Gueishan Township, Taoyuan City, Taoyuan County 33352, Taiwan, R.O.C.

Tel: +886-3-350-1555 Fax: +886-3-350-1388